

Series:
610, 611, 612, 625, 626, 629, 630, 631, 635, 640,
642, 645, 650, 675, 676, 711, 712, 725, 770, 775,
782, 783

Certified to:
ANSI Z21.97/CSA 2.41
for outdoor decorative
gas appliances



⚠ WARNING: For Outdoor Use Only

OUTDOOR FIRETABLES

⚠ WARNING: If the information in this manual is not followed exactly, a fire or explosion may result causing property damage, personal injury or loss of life.

- Do not store or use gasoline or other flammable vapors and liquids in the vicinity of this or any other appliance.
- A propane cylinder not connected for use shall not be stored in the vicinity of this or any other appliance.

⚠ DANGER

If you smell gas:

1. Shut off gas to the appliance.
2. Extinguish any open flame.
3. If odor continues, keep away from the appliance and immediately call your gas supplier or fire department.

Installation and service must be performed by an NFI Certified or other qualified professional installer, service agency, or gas supplier.

⚠ DANGER

CARBON MONOXIDE HAZARD



This appliance can produce carbon monoxide which has no odor.

Using it in an enclosed space can kill you.

Never use this appliance in an enclosed space such as a camper, tent, car, or home.

INSTALLER & CONSUMER: These instructions MUST be retained with this appliance for future reference.

Important: Read these instructions carefully before starting installation of the unit.

⚠ WARNING

Improper installation, adjustment, alteration, service, or maintenance can cause property damage, personal injury, or loss of life. Read the installation, operating and maintenance instructions thoroughly before installing or servicing this equipment.

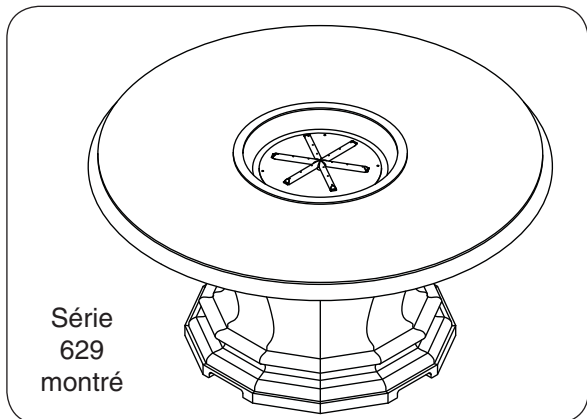
This appliance is designed as an **attended appliance**. Adults **must** be present when the unit is operating. **DO NOT** leave this unit burning when unattended. If this product is left burning unattended, it may cause damage or serious injury.

IMPORTANT

For safe operation and proper performance of this product and to comply with certification, listings, and building code acceptances, use **ONLY** Peterson AFD controls, parts, and accessories that have been specifically listed or certified for use with this burner system. Use of other controls, parts, or accessories is prohibited and will void all warranties, certifications, listings, and building code approvals, and may cause property damage, personal injury, and loss of life.

CODE AND SUPPLY REQUIREMENTS:

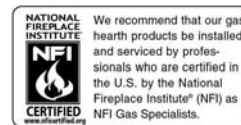
The installation must conform with local codes and ordinances, or, in the absence of local codes, with the latest *National Fuel Gas Code, ANSI Z223.1*.



Série
629
montré

Series:
610, 611, 612, 625, 626, 629, 630, 631, 635, 640,
642, 645, 650, 675, 676, 711, 712, 725, 770, 775,
782, 783

Certifié à:
ANSI Z21.97/CSA 2.41
pour les appareils à gaz
décoratifs extérieurs



**⚠ AVERTISSEMENT: Pour l'usage extérieur
seulement**

FIRETABLES PLEIN AIR

⚠ AVERTISSEMENT: Si l'information en ce manuel n'est pas suivie exactement, un incendie ou une explosion peut résulter entraînant des dégâts matériels, le dommage corporel ou des pertes humaines.

- Ne pas entreposer ni utiliser d'essence ou d'autres vapeurs et liquides inflammables à proximité de cet appareil ou de tout autre.
- Une bouteille de propane non branchée ne doit pas être entreposée à proximité de cet ou tout autre appareil.

⚠ DANGER

Si vous sentez une odeur de gaz:

1. Coupez le gaz à l'appareil.
2. Éteindre toute flamme nue.
3. Si l'odeur persiste, éloignez-vous de l'appareil et appelez immédiatement votre fournisseur de gaz ou les pompiers.

L'installation et le service doivent être assurés par un NFI certifié ou toute autre installateur, agence de service, ou fournisseur professionnelle qualifiée de gaz.

⚠ DANGER

DANGER MONOXYDE DE CARBONE

Cet appareil peut produire du monoxyde de carbone n'a pas d'odeur qui.

Son utilisation dans un espace clos peut vous tuer.

Ne jamais utiliser cet appareil dans un espace clos comme une caravane, tente, véhicule ou maison.



d'INSTALLATEUR; CONSOMMATEUR: Ces instructions DOIVENT être maintenues avec cet appareil pour la future référence.

Important: Lisez ces instructions soigneusement avant de commencer l'installation de l'unité.

⚠ AVERTISSEMENT

L'installation, l'ajustement, le changement, le service, ou l'entretien inexact peuvent causer des dégâts matériels, le dommage corporel, ou des pertes humaines. Lisez l'installation, l'opération et les instructions d'entretien complètement avant d'installer ou entretenir cet équipement.

Cet appareil est conçu comme appareil occupé. Les adultes doivent être présent quand l'unité fonctionne. Ne laissez pas ce burning d'unité si sans surveillance. Si ce produit est laissé sans surveillance brûlant, il peut causer des dommages ou des dommages sérieux.

IMPORTANT

Pour l'exploitation sûre et l'exécution appropriée de ce produit et pour se conformer à la certification, aux listes, et aux acceptations de codes du bâtiment, commandes, pièces, et accessoires de Peterson d'utilisation SEULEMENT qui ont été spécifiquement énumérés ou certifiés pour l'usage avec ce système de brûleur. L'utilisation d'autres commandes, pièces, ou accessoires est interdite et videra toutes les garanties, certifications, listes, et approbations de codes du bâtiment, et peut causer des dégâts matériels, le dommage corporel, et des pertes humaines.

CONDITIONS DE CODE ET D'APPROVISIONNEMENT:

L'installation doit se conformer aux codes locaux et aux ordonnances, ou, en l'absence des codes locaux, au plus défunt code national de gaz de carburant, la norme ANSI Z223.1.

TABLE OF CONTENTS

GETTING STARTED

PRE-INSTALLATION AND PREPARATION SAFETY GUIDELINES	4
INSTALLATION SAFETY GUIDELINES	5
OPERATING THE UNIT SAFELY AND CORRECTLY	5
NOTES PAGE	6
SAFE USE & MAINTENANCE OF PROPANE GAS CYLINDERS	7
SPECIFICATIONS AND DIMENSIONS	9
MINIMUM CLEARANCES TO COMBUSTIBLES	10
PARTS LIST	11

INSTALLATION

IMPORTANT SAFETY INFORMATION	15
FIRETABLE INSTALLATION	15
<i>BEFORE YOU BEGIN</i>	15
<i>LOCATION</i>	15
<i>FIRETABLE ASSEMBLY: ONE-PIECE MODELS</i>	16
<i>FIRETABLE ASSEMBLY: TWO-PIECE MODELS</i>	16
<i>FIRETABLE ASSEMBLY: THREE-PIECE MODELS</i>	17
<i>FIRETABLE ASSEMBLY: FOUR-PIECE MODELS</i>	18
<i>CONNECT GAS SUPPLY</i>	19
<i>LEAK TEST</i>	19
<i>REPLACE STORAGE DOOR</i>	19
DECORATIVE MEDIA PLACEMENT	20
<i>LAVA MEDIA</i>	20
<i>VOLCANIC STONE</i>	20
<i>GLASS MEDIA</i>	20
<i>ADDITIONAL / SECONDARY OPTIONS</i>	20
OPTIONAL COVERS	21
<i>OPTIONAL GFRC COVER</i>	21
<i>OPTIONAL FABRIC COVER</i>	21

USE, CARE, & SERVICE

LIGHTING INSTRUCTIONS - CONTROL KNOB MODELS	23
<i>FOR YOUR SAFETY, READ BEFORE LIGHTING</i>	23
<i>TO SHUT OFF GAS TO THE APPLIANCE</i>	23
LIGHTING INSTRUCTIONS KEY VALVE MODELS	25
<i>FOR YOUR SAFETY, READ BEFORE LIGHTING</i>	25
<i>TO SHUT OFF GAS TO THE APPLIANCE</i>	25
SERVICING AND CLEANING	26
<i>ANNUAL CLEAN / INSPECTION GUIDELINES</i>	26
<i>FUEL CONVERSION KITS</i>	26
TROUBLESHOOTING	27
WARRANTY	28

IMPORTANT SAFETY INFORMATION

Congratulations on your purchase of an American Fyre Designs outdoor gas firetable. Made with pride in America, your new firetable complies with national safety standards and when installed per these instructions and used as intended it will provide warmth and comfort to your outdoor area for many years.

Prior to installation and operation ensure that all specifications, dimensions, and minimum clearances stated in this manual are observed. You must read all warnings and safety information, and understand all of the information in this manual. All installation requirements must be observed and met.

PRE-INSTALLATION AND PREPARATION SAFETY GUIDELINES

- A. Before installing this unit, check the MINIMUM CLEARANCE TO COMBUSTIBLES section to ensure that the surrounding area is **properly sized for the installation**.
- B. The unit is for outdoor use only. **DO NOT** install or use this appliance inside a building, garage, or any other enclosed area, including recreational vehicles and/or boats. **THIS UNIT MUST BE INSTALLED IN SUCH A MANNER THAT ALL VENT OPENINGS ON THE UNIT REMAIN CLEAR AND FREE OF ALL OBSTRUCTIONS AT ALL TIMES AND DURING ALL WEATHER CONDITIONS.**
- C. **SOLID FUEL MUST NOT BE BURNED** in the unit.
- D. **CHECK GAS TYPE** (natural gas or propane): The gas supply you intend to use may not be the same as that stated on the unit rating plate as purchased. If the gas supply is different, **convert the unit to the gas type you intend to use (IF PERMITTED)**. See the FUEL CONVERSION KIT section and contact the dealer for assistance.
- E. **FOR NATURAL GAS:** The minimum inlet gas-supply pressure for purposes of input adjustment is **5"** water column (w.c.), and the maximum inlet gas-supply pressure is **10.5"** w.c.
FOR PROPANE GAS: The minimum inlet gas-supply pressure for purposes of input adjustment is **8"** w.c., and the maximum inlet gas-supply pressure is **13"** w.c. **DO NOT INSTALL THIS UNIT IF MINIMUM PRESSURE IS NOT AVAILABLE OR IF MAXIMUM PRESSURE IS EXCEEDED.**
- F. **The gas piping system must be sized to provide minimum inlet pressure at the maximum flow rate (BTU/hr).** Undue pressure loss will occur if the pipe is too small, or the run is too long. Gas supply pipe must be 1/2" minimum interior diameter. If the gas line is longer than 20', a larger diameter line may be necessary. Refer to the NFPA 54 guidelines for further details.
- G. For installations at elevations above 2,000 ft., contact your local dealer or gas supplier before installing. Input ratings should be reduced approximately 4% for each 1,000 ft. above sea level. Refer to the National Fuel Gas Code.
- H. The unit and its individual shutoff valve must be disconnected from the gas-supply piping system during any pressure testing of that system at test pressures in excess of 1/2 psi (3.5 kPa). This is accomplished by closing the gas-supply line valve. The unit must be isolated from the gas-supply piping system by closing its individual manual shutoff valve during any pressure testing of the gas-supply piping system at test pressures equal to or less than 1/2 psi (3.5 kPa).
- I. When an appliance is for connection to a fixed piping system, the installation must conform with local codes, or in the absence of local codes with the National Fuel Gas Code, ANSI Z223.1/NFPA 54; International Fuel Gas Code, Natural Gas and Propane Installation Code, CSA B149.1; or Propane Storage and Handling Code, B149.2, as applicable. The appliance, when installed, must be electrically grounded in accordance with local codes, or in the absence of local codes with the National Electrical Code, ANSI/NFPA 70; or the Canadian Electrical Code, CSA C22.1, if applicable.
- J. **INSTALLER NOTE:** This unit should be installed so that it can be removed if service is required.
- K. **GAS-SUPPLY PLUMBING REQUIREMENTS**
- Apply only joint compounds that are resistant to all gasses on all male pipe fittings. Make sure to tighten every joint securely. Do not use pipe joint compound to connect flare fittings. Bring the gas-supply pipe up from beneath the enclosure near its center (if applicable).

CAUTION: Installation and maintenance must be done by an NFI Certified or other qualified professional service technician. Installer, read these instructions before installing this product. Be sure you understand all safety precautions and warnings contained in this manual.

Note: An external on/off valve in the gas line is required for safety when the unit is not in use. It also provides for convenient maintenance and repair.

INSTALLATION SAFETY GUIDELINES

- A. Installation and repair should be done by a qualified professional service technician. The appliance should be inspected before use and at least annually by a qualified service person. More frequent cleaning may be required as necessary. It is imperative that control compartment, burners and circulating air passageways of the appliance are kept clean.
- B. Carefully inspect for shipping damage. If any parts are damaged, call the dealer.
- C. **WEAR GLOVES AND USE EXTREME CAUTION WHENEVER INSTALLING AND HANDLING THIS PRODUCT AND ITS ACCESSORIES AS CERTAIN COMPONENTS HAVE SHARP EDGES THAT CAN CAUSE PERSONAL INJURY.**
- D. Correct installation and proper placement of the unit and decorative media **is crucial** to the safe performance of the unit. See installation instructions for further information.
- E. **DO NOT** install the unit under any overhead combustible materials that are less than 8 feet above the top of the unit.
- F. Ensure that the unit is installed on a hard and level surface.
- G. Ensure that the unit is installed in such a manner that all vent openings on the unit remain clear and free of all obstructions at all times and during all weather conditions.
- H. Due to high temperatures, the unit must be located out of traffic areas and away from combustibles.

OPERATING THE UNIT SAFELY AND CORRECTLY

- A. **This product is a decorative gas appliance. It is not a cooking appliance.**
- B. **SOLID FUEL MUST NOT BE BURNED** in the unit.
- C. When shutting the unit down—be sure to TURN THE CONTROL VALVE FULLY OFF.
- D. Children MUST be carefully supervised when they are in the area of this appliance.
- E. **DO NOT** sit or place any part of the body, clothing, or other flammable materials on or near the unit surround. Children and adults should be alerted to the hazard of high surface temperatures and should stay away to avoid burns or clothing ignition. DO NOT lean over the unit when lighting or when in use.
- F. Every time you use the unit, **make sure that:**
 - 1. The area around the unit is clear and free from combustible materials, gasoline and other flammable vapors and liquids.
 - 2. There is no blockage of the airflow through the vent openings located on the unit.
 - 3. The hose is inspected (if applicable). See the SAFE USE & MAINTENANCE OF PROPANE-GAS CYLINDERS section.
- G. **WARNING: HOT WHILE IN OPERATION AND FOLLOWING OPERATION. Serious injury can occur! DO NOT** throw trash, paper, or other flammable materials onto the unit. **DO NOT** leave in operation when unattended.
WARNING: DO NOT operate this unit in the rain.
WARNING: DO NOT operate this unit in high-wind conditions. Operating in high-wind conditions may expose your unit to direct flame, which will result in cracking and discoloration to the finish.
- H. **DO NOT** continue using if you smell unusual odors, or have headaches, nausea, or dizziness.
- I. **DO NOT** store any combustible materials, gasoline, and any other flammable vapors/liquids in the vicinity of the unit. Provide adequate clearance for servicing and operation.
- J. Matches, paper, garbage, or any other material must not be thrown onto the unit or into the flame.
- K. **DO NOT** use the unit if any part of it has been underwater. Immediately call a qualified professional service technician to inspect the unit and to replace any part of the control system and any gas control that has been underwater.

NOTES PAGE

Please use this page to record any information that you may want to have at hand.

SAFE USE & MAINTENANCE OF PROPANE GAS CYLINDERS

IMPORTANT FOR YOUR SAFETY

READ AND FOLLOW ALL WARNINGS PROVIDED WITH THE PROPANE-GAS CYLINDER.

When operating this appliance with a propane-gas cylinder, these instructions and warnings **MUST** be observed.

FAILURE TO DO SO MAY RESULT IN A SERIOUS FIRE OR EXPLOSION.

CYLINDER/CONNECTOR REQUIREMENTS

- a. Propane-gas cylinders, valves, and hoses must be maintained in good condition and must be replaced if there is visible damage to either the cylinder or valve. If the hose is cut or shows excessive abrasion or wear, it must be replaced before using the gas appliance (see e.).
- b. This unit, when used with a cylinder, should be connected to a standard 5-gallon (20 lb.) propane-gas cylinder equipped with an OPD (Overfill Prevention Device). The OPD has been required on all cylinders sold since October 1, 1998, to prevent overfilling.
- c. Cylinder dimensions should be approximately 12" (30.5 cm) in diameter and 18" (45.7 cm) high. Cylinders must be constructed and marked in accordance with the *Specifications for Propane Gas Cylinders of the U.S. Department of Transportation (D.O.T.)* or the National Standard of Canada, *CAN/CSA-B339, Cylinders, Spheres, and Tubes for Transportation of Dangerous Goods*.
- d. The cylinder used must include a collar to protect the cylinder valve, and the cylinder supply system must be arranged for vapor withdrawal.
- e. The pressure regulator and hose assembly (Fig. 7-1) supplied with this outdoor gas appliance (select L.P. models only) must be used. Original and replacement pressure regulator and hose assemblies must be those specified by the manufacturer for connection with a cylinder connecting device identified as Type I by the *ANSI Z 21.58-2005/CGA 1.6-2005* (see PARTS LIST for ordering information).
- f. The propane-gas cylinder valve must be equipped with a cylinder connection coupling device, described as Type I in the standard defined in paragraph e. above. This device is commonly described as an Acme thread quick coupler.
- g. If the propane-gas cylinder comes with a dust plug, place the dust cap on the cylinder valve outlet whenever the cylinder is not in use.

QUICK COUPLER OPERATION

To connect the regulator/hose assembly to the propane-gas cylinder valve fitting: Press the hand nut on the regulator over the Acme thread fitting on the cylinder valve. Turn the hand nut clockwise to engage the threads and tighten until snug.

The use of pliers or a wrench should not be necessary. Only cylinders marked "propane" may be used.

To disconnect: Turn the hand nut counterclockwise until detached (Fig. 7-1).

Important: Before using the unit, and after each time the cylinder is removed and reattached, check the hose for wear (see a.) and check all connections for leaks. Turn off the unit valves and open the main cylinder valve, then check connections with soapy water. Repair any leaks before lighting the unit.

CAUTION: Always turn the propane cylinder main valve off after each use, and before moving the unit and cylinder or disconnecting the coupling. This valve must remain closed and the cylinder disconnected while the appliance is not in use, even though the gas flow is stopped by a safety feature when the coupler is disconnected.

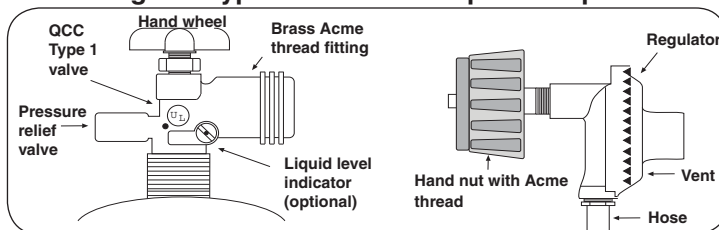
Carefully inspect the hose assembly each time before the gas is turned on. A cracked or frayed hose must be replaced immediately.

If the appliance is stored indoors, the cylinder must be disconnected and removed. Disconnected cylinders must be stored outdoors, out of the reach of children, with threaded valve plugs tightly installed, and must not be stored in a building, garage, or any other enclosed area.

FOR YOUR SAFETY

- a. DO NOT store a spare propane-gas cylinder under or near this appliance.
- b. NEVER fill the cylinder beyond 80-percent full.
- c. IF THE INFORMATION IN a. AND b. IS NOT FOLLOWED EXACTLY, A FIRE CAUSING DEATH OR SERIOUS INJURY MAY OCCUR.

Fig. 7-1 Type I Acme thread quick coupler



UTILISATION SÛRE ET ENTRETIEN DES CYLINDRES DE GAZ DE PROPANE

IMPORTANT POUR VOTRE SÛRETÉ

LISEZ ET SUIVEZ TOUS LES AVERTISSEMENTS ÉQUIPÉS DE VOTRE CYLINDRE DE GAZ DE PROPANE.

En actionnant cet appareil avec un cylindre de gaz de propane ON DOIT observer ces instructions et avertissements.

LE MANQUE DE FAIRE AINSI PEUT AVOIR COMME CONSÉQUENCE UNE INCENDIE OU UNE EXPLOSION SÉRIEUSE.

CYLINDRE ET CONDITIONS ET

CARACTÉRISTIQUES DE CONNECTEUR

- Des cylindres et les valves de gaz de propane doivent être maintenus en bon état et doivent être remplacés s'il y a des dommages évidents au cylindre ou à la valve.
- Ce gril, une fois utilisé avec un cylindre, devrait être relié à un gallon de la norme 5 (20lb.) cylindre de gaz de propane équipé d'un OPD (remplissez au-dessus du niveau le dispositif d'empêchement). L'OPD a été exigé sur tous les cylindres vendus depuis octobre 1.1998 pour empêcher le remplissage excessif.
- Les dimensions de cylindre devraient être approximativement 12" (30.5cm) de diamètre et 18" (45.7cm) hauts. Des cylindres doivent être construits et marqués selon les caractéristiques pour des cylindres de gaz de propane du département des ETATS-UNIS du transport (D.O.T.) ou le niveau national du Canada, du CAN/CSA-B339, des cylindres, des sphères et des tubes pour le transport des marchandises dangereuses.
- Le cylindre doit inclure un collier pour protéger la valve de cylindre et le circuit d'alimentation de cylindre doit être assuré le retrait de vapeur.
- L'ensemble régulateur et le tuyau de pression (Fig. 8-1) fourni avec cet appareil de gaz à l'extérieur (certains modèles LP seulement) doit être utilisé. Assemblages originaux et régulateur de pression de remplacement et le tuyau doivent être celles qui sont spécifiées par le fabricant pour la connexion avec un dispositif de connexion cylindre identifiée comme de type I par l'ANSI Z 21.58-2005/CGA 1,6 à 2005 (voir liste des pièces de commande).
- La valve de cylindre de gaz de propane doit être équipée d'un dispositif d'accouplement de raccordement de cylindre, décrit comme type I dans la norme définie dans le e. de paragraphe ci-dessus. Ce dispositif est généralement décrit comme coupleur rapide de fil de point culminant.
- Si votre cylindre de gaz de propane vient avec une prise de la poussière, placez le bouchon anti-poussière sur la sortie de valve de cylindre toutes les fois que le cylindre n'est pas en service.

OPÉRATION DE COUPLEUR RAPIDE

Pour relier le régulateur/hose à l'ajustage de précision de valve de cylindre de gaz de propane: Serrez l'écrou de main sur le régulateur au-dessus de l'ajustage de précision de fil de point culminant sur la valve de cylindre. Tournez l'écrou de

main dans le sens des aiguilles d'une montre pour engager les fils et pour serrer jusqu'à ce que douillettement. L'utilisation des pinces ou de la clé ne devrait pas être nécessaire. Seulement le propane marqué par cylindres doit être employé.

Pour débrancher: Tournez l'écrou de main dans le sens contraire des aiguilles d'une montre jusqu'à isolé (fig. 8-1).

Important: Avant d'employer le gril, et ensuite chaque fois que le cylindre est enlevé et rattaché, examinez tous les raccordements pour déceler les fuites. Arrêtez les valves de gril et ouvrez la valve principale de cylindre, puis vérifiez les raccordements avec de l'eau savonneux. Réparez toutes les fuites avant d'allumer le gril.

ATTENTION: Tournez toujours la valve principale de cylindre de propane au loin après chaque utilisation, et avant de déplacer le gril et le cylindre, ou débrancher l'accouplement. Cette valve doit rester fermée et le cylindre a débranché alors que l'appareil n'est pas en service, quoique l'écoulement de gaz soit arrêté par un dispositif de sûreté quand le coupleur est débranché.

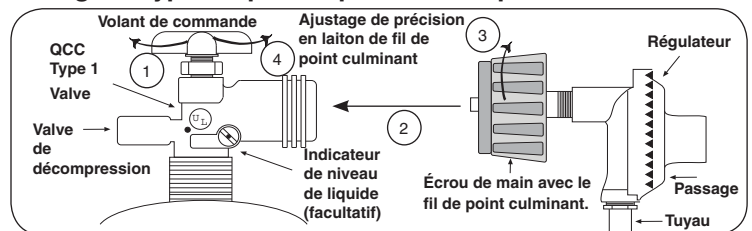
Inspectez soigneusement l'ensemble de tuyau chaque fois avant que le gaz soit allumé. Un tuyau fissuré ou effiloché doit être immédiatement remplacé.

Si l'appareil est stocké à l'intérieur, le cylindre doit être disconnected et a enlevé. Des cylindres Disconnected doivent être stockés dehors, hors de la portée des enfants, avec les prises de valve filettées étroitement installées, et ne doivent pas être stockés dans un bâtiment, le garage, ou n'importe quel autre secteur inclus.

POUR VOTRE SÛRETÉ

- Ne stockez pas un cylindre de gaz disponible de propane dessous ou ne vous approchez pas de cet appareil.
- Ne remplissez jamais cylindre au delà de 80 pour cent de plein.
- SI L'INFORMATION DANS "A" ET "B" N'EST PAS SUIVIE EXACTEMENT, UN FEU CAUSANT LA MORT OU DES DOMMAGES SÉRIEUX PEUT SE PRODUIRE.

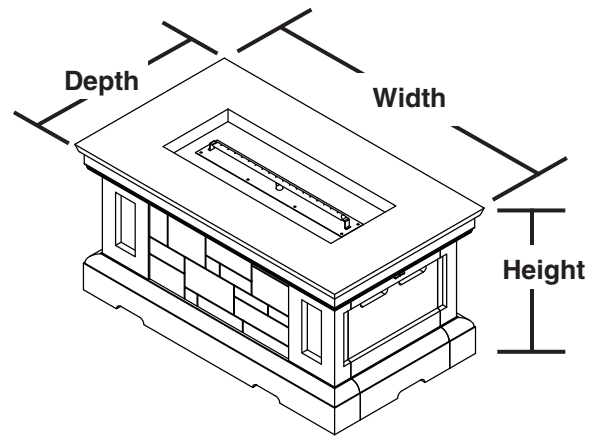
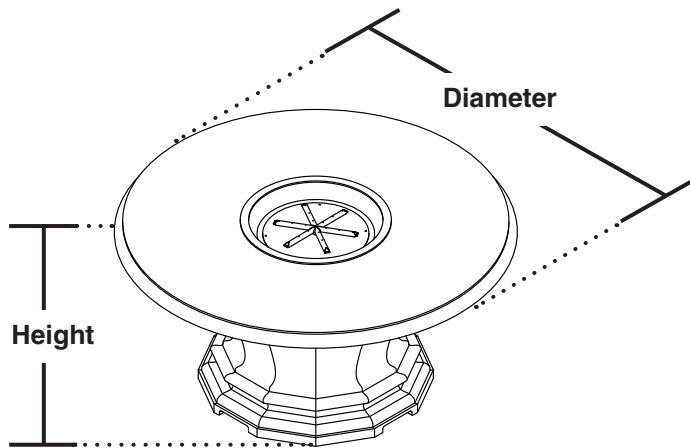
Fig. 8-1 type coupleur rapide de fil de point culminant d'I



SPECIFICATIONS AND DIMENSIONS

Firetable Style	BTUs		Dimensions	Weight / Pieces
	Nat.	L.P.		
Inverted Firetable (629, 630, & 631)	60,000	50,000	48" dia. x 23" h	450 / 500 lbs / 3 pcs
Inverted Dining Firetable (675 & 676)	60,000	50,000	60" dia. x 29" h	550 / 600 lbs / 3 pcs
Amphora Firetable (610, 611, & 612)	60,000	50,000	48" dia. x 23" h	450 / 500 lbs / 3 pcs
Chat Height Octagon Firetable (625 & 626)	60,000	50,000	54" dia. x 24" h	750 / 700 lbs / 3 pcs
Cosmopolitan Round Firetable (645)	60,000	50,000	48" dia. x 24" h	250 lbs / 2 pcs
Fiesta Firetable (770)	60,000	50,000	54" dia. x 25" h	350 lbs / 4 pcs
Fiesta Dining Firetable (775)	60,000	50,000	54" dia. x 28" h	350 lbs / 4 pcs
Contempo Round Firetable (782)	60,000	50,000	47" dia. x 15 1/2" h	400 lbs / 1 pc
Cosmopolitan Square Firetable (640)	60,000	50,000	36" w x 36" d x 24" h	250 lbs / 2 pcs
Nest Square / Voro Firetable (711 & 725)	60,000	50,000	36" w x 36" d x 24" h	290 / 250 lbs / 2 pcs
Cosmopolitan Square Dining Firetable (642)	60,000	50,000	60" w x 60" d x 29" h	500 lbs / 2 pcs
Cosmopolitan Rectangle Firetable (635)	60,000	50,000	54" w x 36" d x 24" h	350 lbs / 2 pcs
Nest Rectangle Firetable (712)	60,000	50,000	48" w x 28" d x 24" h	310 lbs / 2 pcs
Rectangular Firetable (650)	60,000	50,000	48" w x 27" d x 23" h	350 lbs / 1 pc
Contempo Rectangle Firetable (783)	60,000	50,000	52" w x 36" d x 15 1/2" h	400 lbs / 1 pc

Table 1 - Product Dimensions



SPECIFICATIONS AND DIMENSIONS (cont.)

Follow the recommendations below for decorative media amounts. All decorative media options are purchased separately. Contact your local American Fyre Designs dealer when ordering.

When using lava media:

Firetable Style(s)	Recommended Amount of Lava Media	
	Lava Granules Option	Lava Coals Option
Cosmopolitan Square, Nest Square, Voro	10 lbs	10 lbs
Rectangular, Cosmopolitan Rectangle, Contempo Rectangle, Nest Rectangle	15 lbs	16 lbs
Amphora, Chat Height Octagon, Inverted, Cosmopolitan Round, Fiesta, Contempo Round	15 lbs	16 lbs
Cosmopolitan square dining	35 lbs	30 lbs

When using volcanic stone in addition to above mentioned lava media, use VS-12 (12 lbs).

Table 2 - Lava Recommendations

When using glass media:

Firetable Style(s)	Recommended Amount of Glass
Cosmopolitan Square, Nest Square, Voro	20 lbs
Rectangular, Cosmopolitan Rectangle, Contempo Rectangle, Nest Rectangle	25 lbs
Amphora, Chat Height Octagon, Inverted, Cosmopolitan Round, Fiesta, Contempo Round	30 lbs
Cosmopolitan square dining	70 lbs

Table 3 - Glass Recommendations

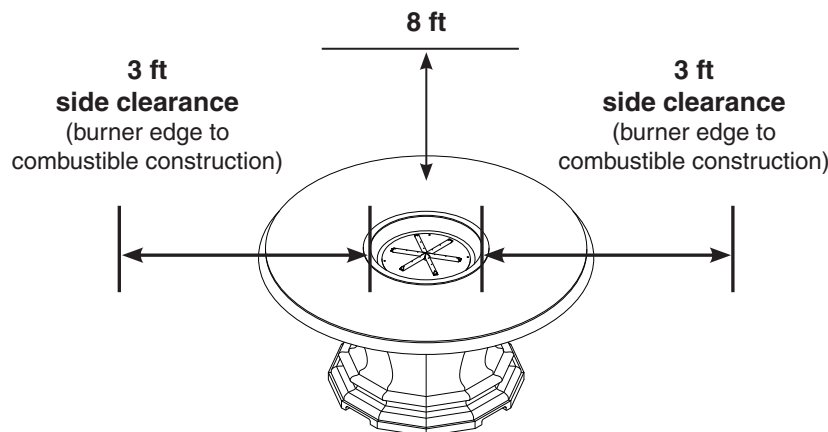
MINIMUM CLEARANCES TO COMBUSTIBLES

The dimensions shown below are **MINIMUM CLEARANCES** to maintain when you install the unit.

ALL CLEARANCES AND INFORMATION STATED HERE MUST BE MAINTAINED AND FOLLOWED.

Description	Dimension
Side clearance (from burner edge to combustible construction)	3 ft
Clearance above unit	8 ft
Clearance below unit	0"

Table 4- Minimum Clearances to Combustibles



Floor must be a hard, level surface. Combustible materials ok.

PARTS LIST

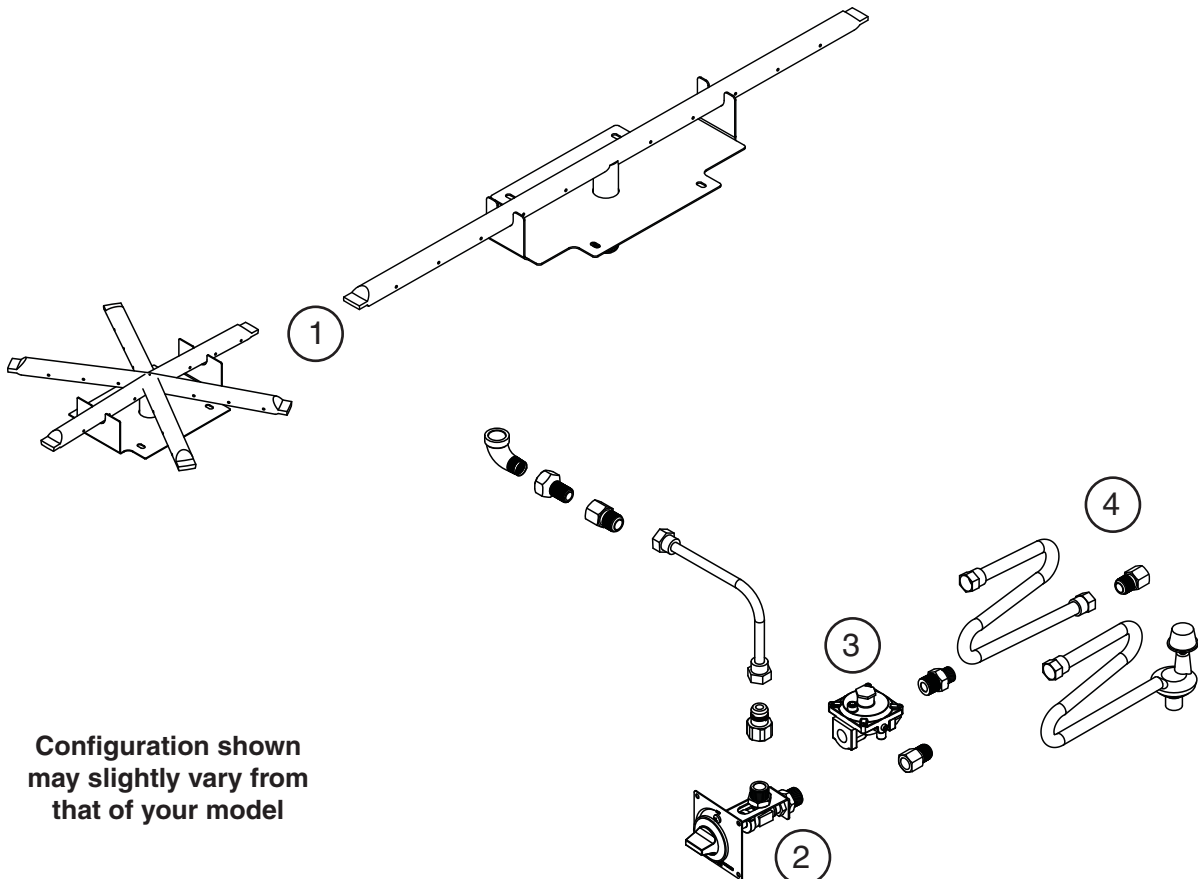
- In addition to the Common Parts List, locate the parts list that includes your model.
- Your firetable is packaged onto 1 pallet.
- Decorative media is purchased and packaged separately. Various styles are available.
- Decorative media and replacement parts can be ordered from your local American Fyre Designs dealer.
- Select models are illustrated (your model may vary)

IMPORTANT
Remove all packing material (including any protective coatings) and discard prior to use.

**SOME COMPONENTS ARE HEAVY
HANDLE WITH CARE**

COMMON REPLACEMENT PARTS LIST - V2 / V4 MODELS

Item	Description	Part No.	Qty.
1.	12" star burner, only (Nat.)	OCBS-12	1
or	12" star burner, only (L.P.)	OCBS-12P	1
or	24" linear straight burner, only (Nat.)	OCBL-24	1
or	24" linear straight burner, only (L.P.)	OCBL-24P	1
2.	Control valve w/ knob assembly	SV-61	1
or	Control valve w/ knob assembly (Contempo models only)	SV-62	1
3.	Pressure regulator (Nat. only)	PR-1NAT	1
or	Convertible Regulator (Nat. & L.P. Contempo models only)	PR-4	1
4.	Flex connector (Nat. only)	CK-5-24	1
or	L.P. regulator and hose assembly (L.P. only)	5110-07	1
or	Flex connector (Nat. & L.P. Contempo models only)	3035	1

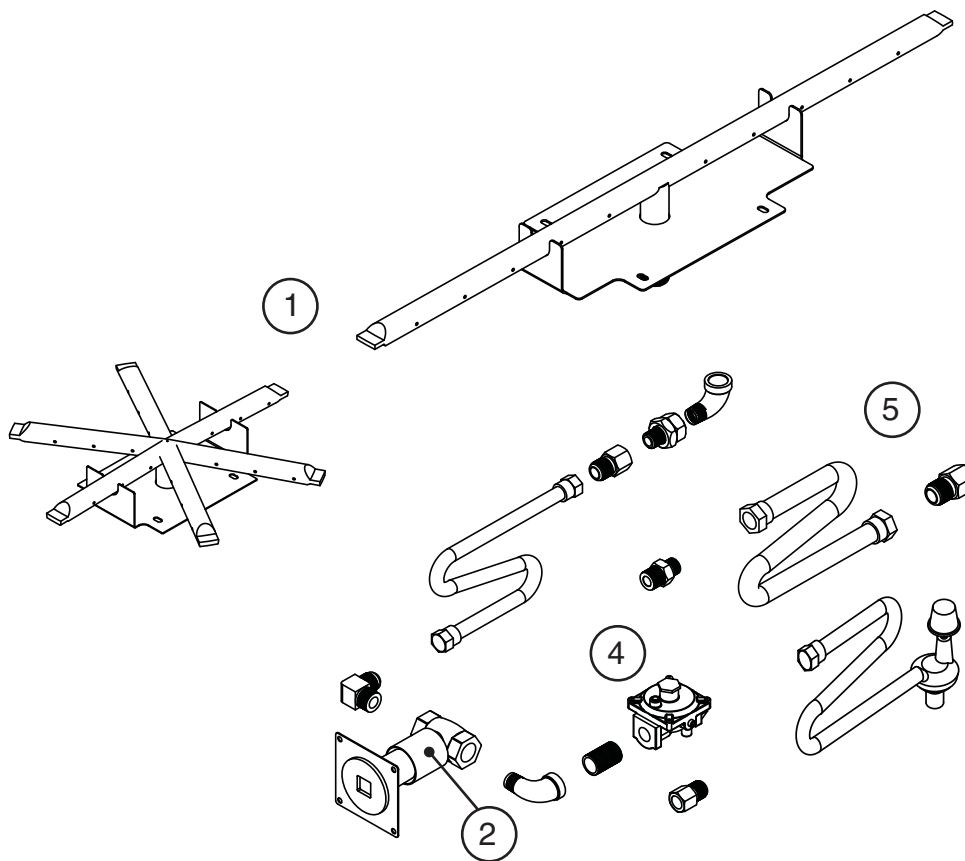


PARTS LIST (cont.)

COMMON REPLACEMENT PARTS LIST - K2 / K4 MODELS

Item	Description	Part No.	Qty.
1.	12" star burner, only (Nat.)	OCBS-12	1
or	12" star burner, only (L.P.)	OCBS-12P	1
or	24" linear straight burner, only (Nat.)	OCBL-24	1
or	24" linear straight burner, only (L.P.)	OCBL-24P	1
2.	Key valve (including key)	AV-30	1
3.	Key (only) *	VK-1	1
4.	Pressure regulator (All Nat. models & L.P. Contempo models)	PR-4	1
5.	Flex connector (Nat. only)	3035	1
or	L.P. regulator and hose assembly (L.P. only)	5110-07	1
or	Flex connector (Nat. & L.P. Contempo models only)	3035	1

* Not shown



Configuration shown
may slightly vary from
that of your model

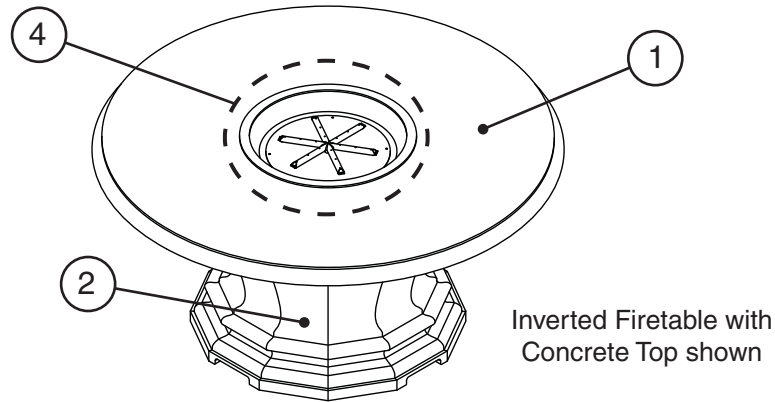
PARTS LIST (cont.)

IDENTIFICATION PARTS LIST (Three-piece models)

Amphora (610, 611, 612), Chat Height Octagon (625, 626), Inverted (629, 630, 631), Inverted Dining (675, 676)

Item	Description	Qty.
1.	Concrete top or Granite inset top	1
2.	Base	1
3.	Base door *	1
4.	Burner assembly	1
5.	Hardware kit *	1

* Not shown



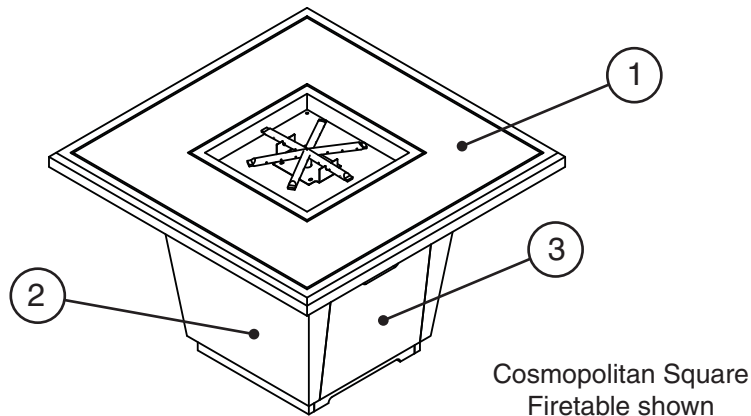
IDENTIFICATION PARTS LIST (Two-piece models)

Cosmopolitan Rectangle (635), Cosmopolitan Square (640), Cosmopolitan Square Dining (642),
Cosmopolitan Round (645), Nest Square (711), Nest Rectangle (712), Voro (725)

Item	Description	Qty.
1.	Concrete top	1
2.	Base	1
3.	Base door	1
4.	Support bracket w/ hardware kit *	1
5.	Decorative metal panel * †	1

* Not shown

† Nest models only

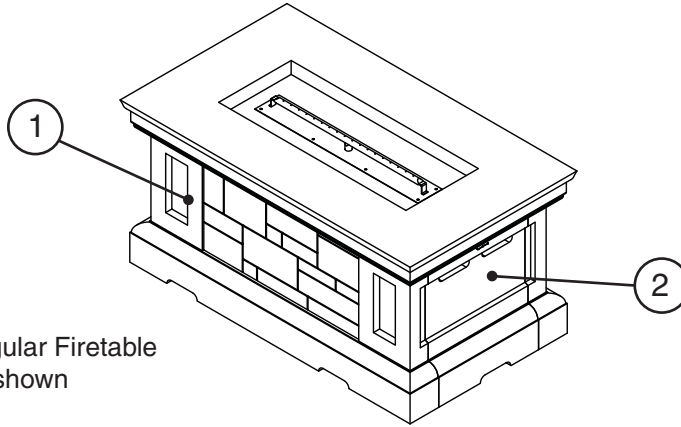


PARTS LIST (cont.)

IDENTIFICATION PARTS LIST (One-piece models)

Rectangular (650), Contempo Round (782) and Contempo Rectangle (783)

Item	Description	Qty.
1.	Complete enclosure assembly	1
2.	Base door (650 models only)	1



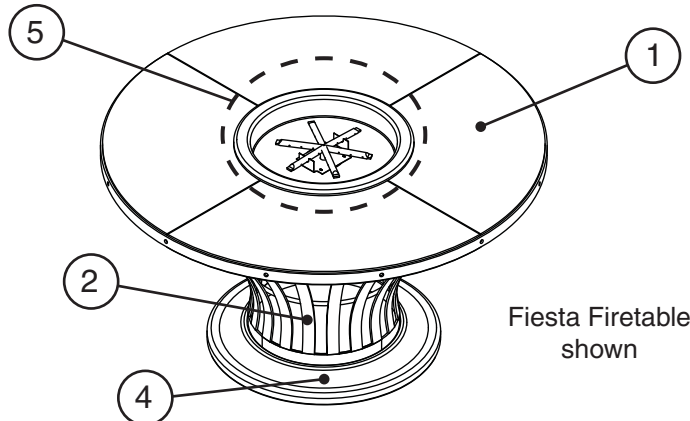
Rectangular Firetable shown

IDENTIFICATION PARTS LIST (Four-piece models)

Fiesta (770), Fiesta Dining (775)

Item	Description	Qty.
1.	Concrete top	1
2.	Base	1
3.	Base door *	1
4.	Base bottom	1
5.	Burner assembly	1

* Not shown



Fiesta Firetable shown

IMPORTANT SAFETY INFORMATION

BE CAREFUL

If not installed and used correctly per these instructions, this product can cause serious injury.

CAUTION: Installation and maintenance must be done by an NFI Certified or other qualified professional service technician. Read these instructions before installing this unit. Be sure you understand all safety precautions and warnings contained in this manual.

A. FOR OUTDOOR USE ONLY.

B. When shutting the unit down—be sure to **TURN THE CONTROL VALVE FULLY OFF.**

C. WARNING: CARBON MONOXIDE POISONING MAY LEAD TO DEATH. DO NOT MODIFY THIS unit OR ITS CONTROLS, EXCEPT AS PROVIDED FOR IN THIS MANUAL. Any other change may be dangerous. Improper installation or use of the unit can cause serious injury or death from fire, burns, explosions, or carbon monoxide poisoning.

D. Check state and local codes to determine if the unit is permitted in your locality before installation.

E. The manual valve allows for an adjustable flame height. **THESE SETTINGS MUST ALWAYS BE HIGH ENOUGH FOR THE FLAME TO BE CLEARLY VISIBLE. WHEN LIGHTING THE UNIT, ALWAYS LIGHT ON HIGH.**

FIRETABLE INSTALLATION

BEFORE YOU BEGIN

Important: Prior to installation ensure that all specifications, dimensions, and minimum clearances stated in this manual are observed. You must read all warnings and safety information, and understand all of the information in this manual. **All installation requirements must be observed and met.**

WARNING: Failure to position the parts in accordance with these diagrams or failure to use only parts specifically approved with this appliance may result in property damage or personal injury.

- Confirm the installation site accommodates the unit per the requirements in this manual.
- Be sure the gas supply (propane or natural) is turned off at its source.
- **Wear gloves and use extreme caution** whenever installing and handling this product and its accessories as certain components have sharp edges that can cause personal injury.

LOCATION

While following all requirements and safety information in this manual (see MINIMUM CLEARANCES TO COMBUSTIBLES section); **CAREFULLY** locate the unit on a hard and level surface.

Note: For firetables, a combustible surface is permitted.

FIRETABLE ASSEMBLY

Your firetable model falls under one of several methods of assembly. Locate the assembly section that pertains to your model, and closely follow those instructions.

ASSEMBLY REQUIRES TWO OR MORE PEOPLE.

EXERCISE EXTREME CARE DURING ASSEMBLY AND INSTALLATION.

FIRETABLE INSTALLATION (cont.)

FIRETABLE ASSEMBLY: ONE-PIECE MODELS

Contempo Round (782), Contempo Rectangle (783), Rectangular (650).

These models do not require any additional assembly. Locate the unit as instructed on the previous page, **then proceed to the appropriate CONNECT TO THE GAS SUPPLY section.**

Note: The rectangular (650) firetable is equipped with a storage door on one side. Remove the door by first turning the door handle counter-clockwise, then carefully pulling the door outward (see Fig. 16-1).

FIRETABLE ASSEMBLY: TWO-PIECE MODELS

Cosmopolitan Rectangle (635), Cosmopolitan Square (640), Cosmopolitan Square Dining (642), Cosmopolitan Round (645), Nest Square (711), Nest Rectangle (712), Voro (725).

1. **CAREFULLY** place the base in an appropriate location (see Fig. 16-2, and refer back to the LOCATION section if needed).
2. Remove the storage door by first turning the door handle counter-clockwise, then carefully pulling the door outward (see Fig. 16-2 / reference Fig. 16-1). Store in a safe location.
3. **CAREFULLY** place the top on the unit, ensuring that the markings on its underside align with the door opening (see Fig. 16-3).
4. Locate the short flex connector that is coming off the top of the valve assembly (found inside of the enclosure). Route it to the connection found on the underside of the firetable top and connect. Tighten securely. See Fig. 16-3.
5. Locate the supplied support bracket kit and install as shown in Fig. 16-4. The bracket must be inserted into the enclosure through the door opening, aligned with the holes found in the burner tray, and fastened with a 1/2" wrench and the 2 supplied bolts and nuts.

Proceed to the **CONNECT GAS SUPPLY section.**

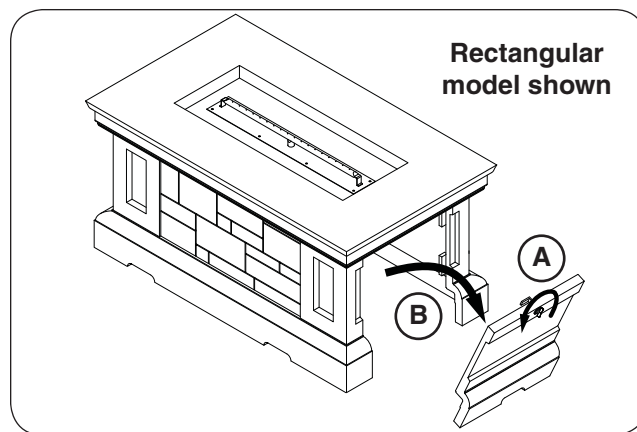


Fig. 16-1 Storage door removal

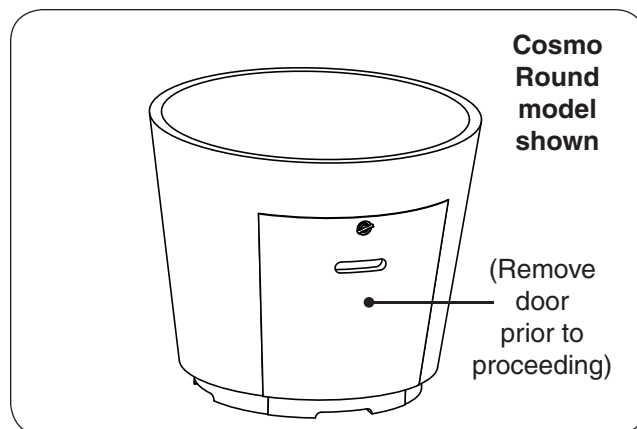


Fig. 16-2 Two-piece models: place base

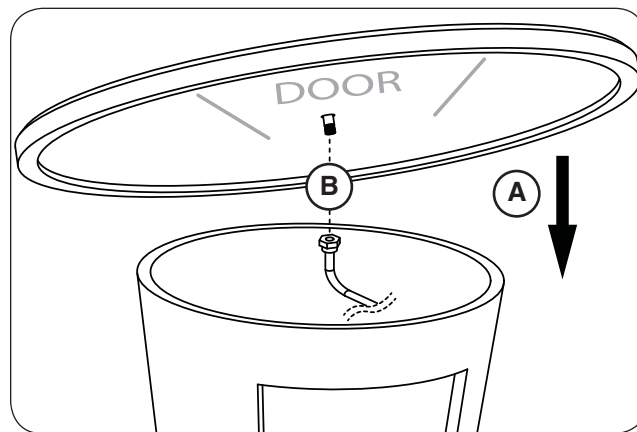


Fig. 16-3 Two-piece models: place top & connect flex

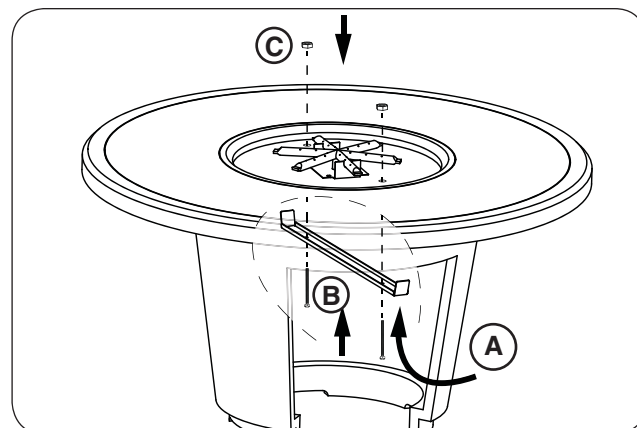


Fig. 16-4 Two-piece models: install bracket

FIRETABLE INSTALLATION (cont.)

FIRETABLE ASSEMBLY: THREE-PIECE MODELS

Amphora (610, 611, 612), Chat Height Octagon (625, 626), Inverted (629, 630, 631), Inverted Dining (675, 676).

1. **CAREFULLY** place the base in an appropriate location (see Fig. 17-1, and refer back to the LOCATION section if needed).
2. Remove the storage door by first turning the door handle counter-clockwise, then carefully pulling the door outward (see Fig. 17-2). Store in a safe location.
3. **CAREFULLY** place the top on the unit, ensuring that the markings along its inner ring align with those found on the base (see Fig. 17-3).
4. Use a 1/2" wrench and the 4 supplied bolts and nuts to fasten the top to the base as shown in Fig. 17-3.
5. Drop the burner assembly into the opening in the center of the firetable top (see Fig. 17-4).

Important: Ensure that the burner assembly is correctly inserted without any obstructions between it and the firetable top. It must sit flat.

6. Locate the short flex connector that is coming off the top of the valve assembly (found inside of the enclosure). Route it to the connection found on the underside of the burner assembly and connect. Tighten securely. See Fig. 17-4.

Proceed to the **CONNECT GAS SUPPLY** section.

Chat Height
Octagon
model
shown

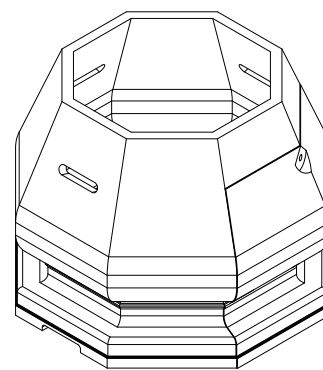


Fig. 17-1 Three-piece models: place base

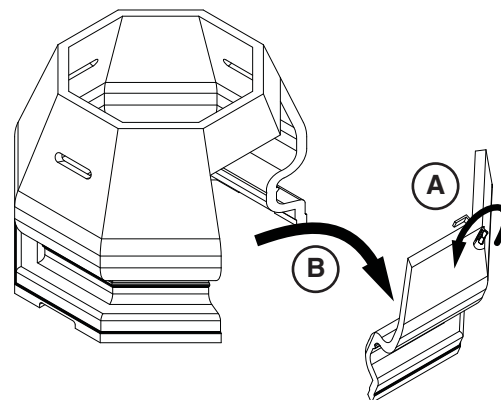


Fig. 17-2 Three-piece models: remove door

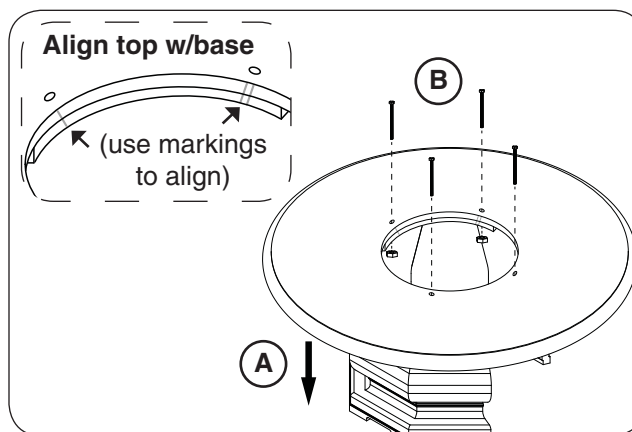


Fig. 17-3 Three-piece models: place top & fasten

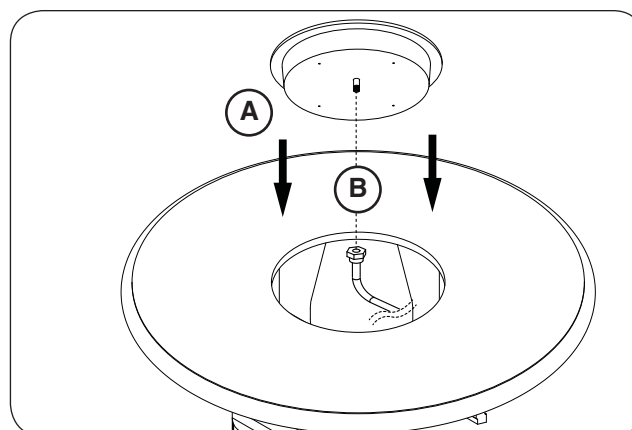


Fig. 17-4 Three-piece models: place burner & connect flex

FIRETABLE INSTALLATION (cont.)

FIRETABLE ASSEMBLY: FOUR-PIECE MODELS

Fiesta (770), Fiesta Dining (775).

1. **CAREFULLY** place the base bottom and base in an appropriate location (see Fig. 18-1, and refer back to the LOCATION section if needed).
2. Remove the storage door by first turning the two thumb screws counter-clockwise, then carefully pulling the door up and outward (see Fig. 18-2). Store in a safe location.
3. **CAREFULLY** place the top on the unit, ensuring that it rests properly on the base (see Fig. 18-3).
4. Drop the burner assembly into the opening in the center of the firetable top (see Fig. 18-4).

Important: Ensure that the burner assembly is correctly inserted without any obstructions between it and the firetable top. It must sit flat.

5. Locate the short flex connector that is coming off the top of the valve assembly (found inside of the enclosure). Route it to the connection found on the underside of the burner assembly and connect. Tighten securely. See Fig. 18-4.

Proceed to the **CONNECT GAS SUPPLY** section.

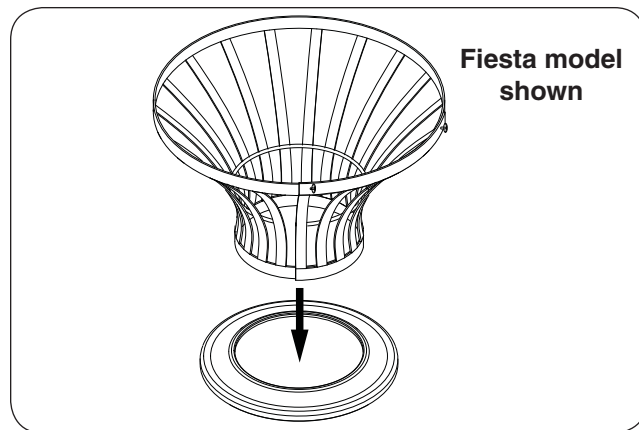


Fig. 18-1 Four-piece models: place base

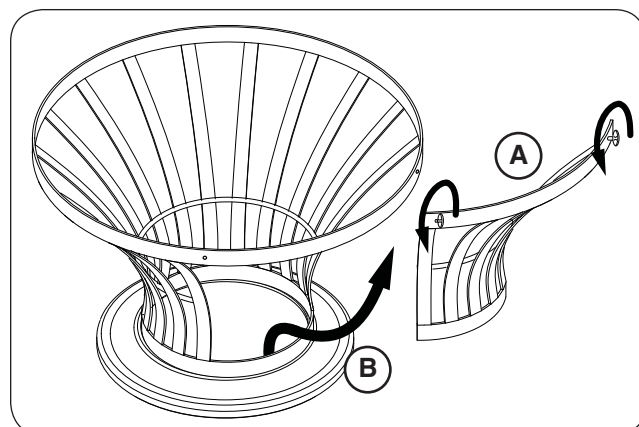


Fig. 18-2 Four-piece models: remove door

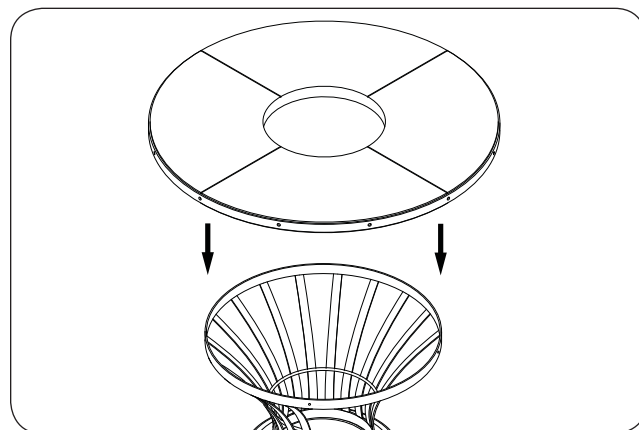


Fig. 18-3 Four-piece models: place top

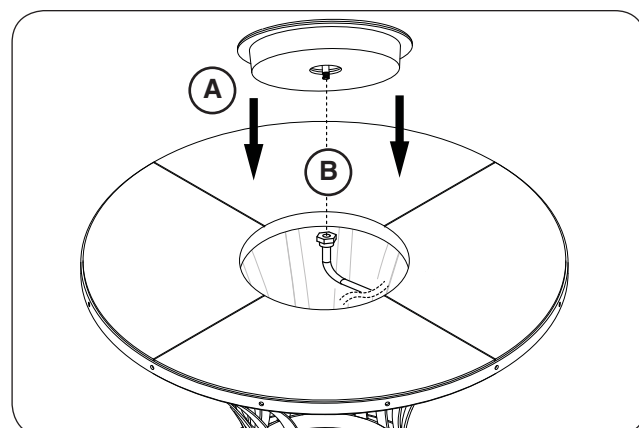


Fig. 18-4 Four-piece models: place burner & connect flex

FIRETABLE INSTALLATION (cont.)

CONNECT GAS SUPPLY

Important: Before installation, be sure the gas supply (propane or natural) is turned off at its source.

Important: Locate the gas supply line out of pathways where people may trip over it or in areas where the line may be subject to accidental damage (if applicable).

To Connect To a Propane Cylinder:

1. Locate the regulator hose assembly that is already installed on the rear of the valve assembly.
For contempo models, an appropriate hose assembly must be purchased separately. See note below.)
2. Attach the regulator end of the hose assembly to a propane cylinder (not included) and tighten (see Fig. 19-1).
3. The propane cylinder (not included) is to be located inside the base of the unit, via the storage door opening (see Fig. 19-2).

Note: Contempo firetables do not accommodate propane cylinders. A cylinder must be located in a safe location, within reach of the unit connections. An appropriate hose assembly must be purchased separately, properly connected to the flex connector (coming from valve), and routed through the side of the unit (near floor) to the cylinder. Observe all codes. Tank tables and propane extension hoses are available from American Fyre designs. Contact your local dealer for ordering information.

To Connect To a Natural or Household Propane Gas Supply:

1. Locate the flex connector that is already installed on the rear of the valve assembly.
2. Bring the gas supply pipe up from beneath the unit near its center. Observe all codes.

Note: For contempo models, the gas supply or another flex can also be routed through the side of the unit (near floor).

3. Install the supplied flare adapter to the gas supply (NPT) using a gas pipe sealing compound or Teflon tape (see Fig. 19-3).
4. Connect the flex connector to the flare adapter (see Fig. 19-3).

LEAK TEST

Turn on the gas supply, ignite the burner, and test at all connections for leaks using a soapy water solution. If bubbles appear, a leak is present. Turn off the gas and tighten at all connections. Repeat until no leaks are present. If a leak persists, turn off the gas supply and contact the local gas company or dealer. **NEVER USE A FLAME TO CHECK FOR LEAKS.**

REPLACE STORAGE DOOR

Replace the storage door (that was previously removed during the assembly section). Ensure the door is secure in place (see Fig. 19-4). Door design may vary.

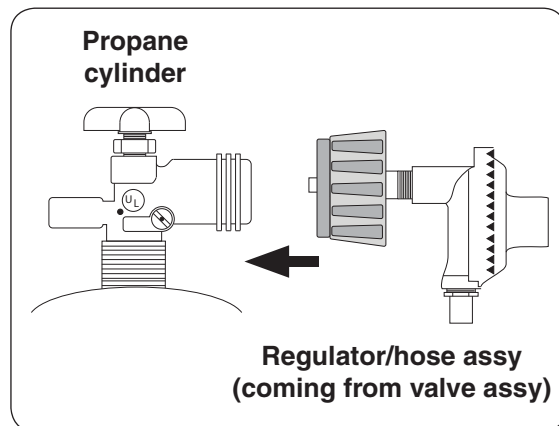


Fig. 19-1 Connecting to an L.P. cylinder

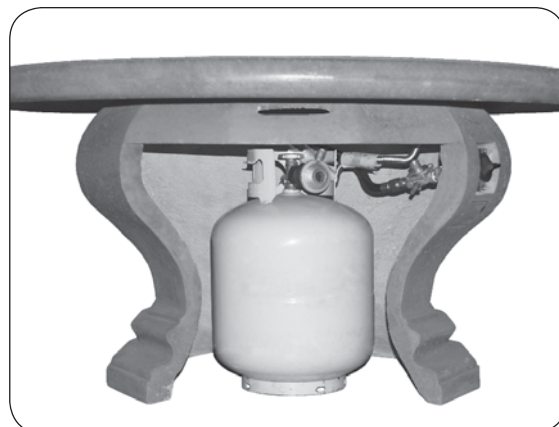


Fig. 19-2 L.P. Cylinder placement

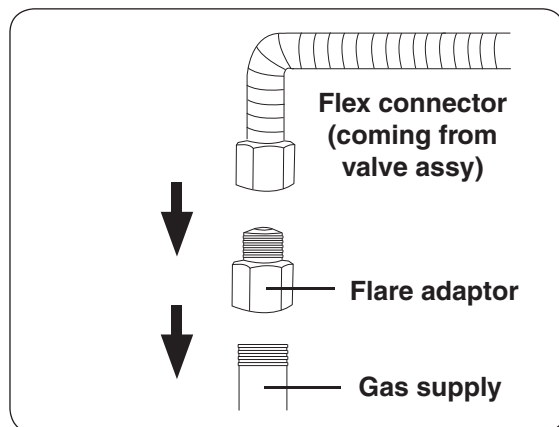


Fig. 19-3 Connecting to a gas line

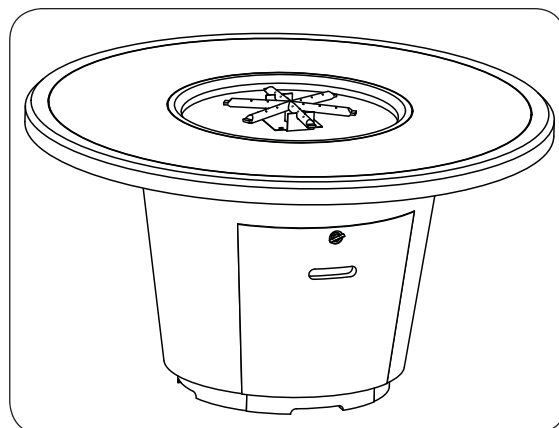


Fig. 19-4 Replace storage door

DECORATIVE MEDIA PLACEMENT

WARNING: Failure to position the parts in accordance with these diagrams or failure to use only parts specifically approved with this appliance may result in property damage or personal injury.

CAUTION: Be sure the unit and the decorative media are completely cool anytime the media is handled. **Wear gloves whenever installing and handling as certain media may have sharp edges that can cause personal injury.**

This unit has several options for decorative media. The decorative media is purchased and packaged separately. Contact your local American Fyre Designs dealer for ordering information. Locate the section(s) below that apply to your option(s) chosen and install accordingly.

Reference the SPECIFICATIONS AND DIMENSIONS section for details on the recommended amounts of media.

Decorative media placement is the same for star and linear burners. Star burner models are shown here.

LAVA MEDIA

Pour the lava granules or lava coals evenly into the burner area (see Fig. 20-1).

Important: DO NOT exceed a height of 1/2" above the burner when placing lava media. Store any excess media in a safe location.

VOLCANIC STONE

1. Volcanic stones first require lava granules to be placed as a base. See above LAVA MEDIA section to place the granules, then proceed to step 2.
2. Pour the volcanic stone evenly into the burner area (see Fig. 20-2). The stones may form a mound. **Store any excess media in a safe location.**

GLASS MEDIA

Pour the glass media (glass, gems, nuggets) evenly into the burner area (see Fig. 20-3).

Note: If desired, lava granules may first be used as a base, followed by the glass.

Important: DO NOT exceed a height of 1/2" above the burner when placing glass / lava media. Store any excess media in a safe location.

ADDITIONAL / SECONDARY OPTIONS

Once one of the above primary options (lava or glass media) has been properly placed, various River Stone, Geo Shape, and log options are available. If one of these secondary options are purchased, place them as desired in a decorative pattern on top of the primary media. See Fig. 20-4 for an example.

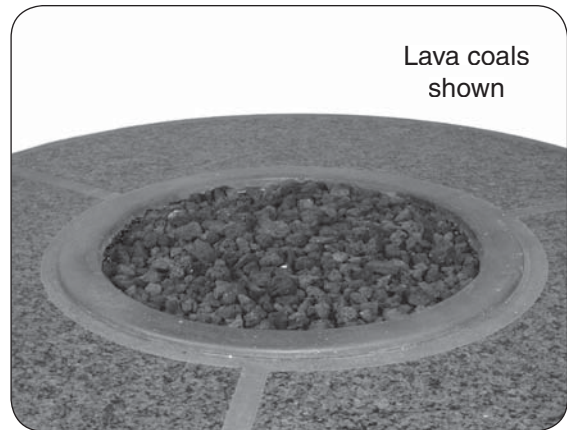


Fig. 20-1 Lava media option

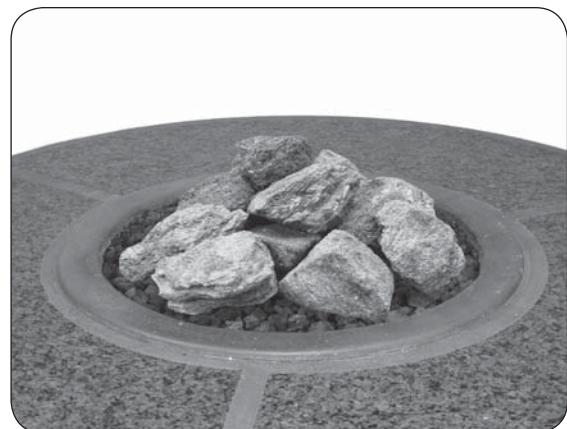


Fig. 20-2 Volcanic stone option

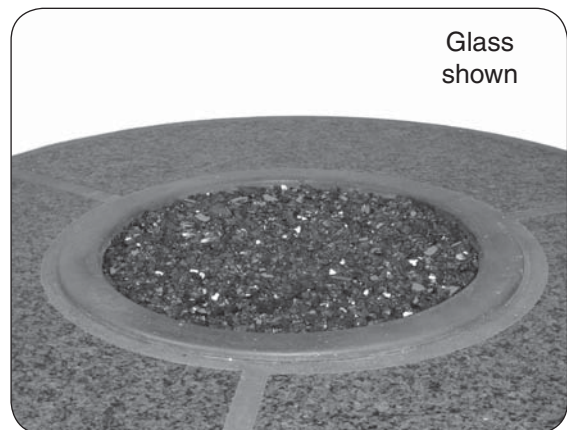


Fig. 20-3 Glass option

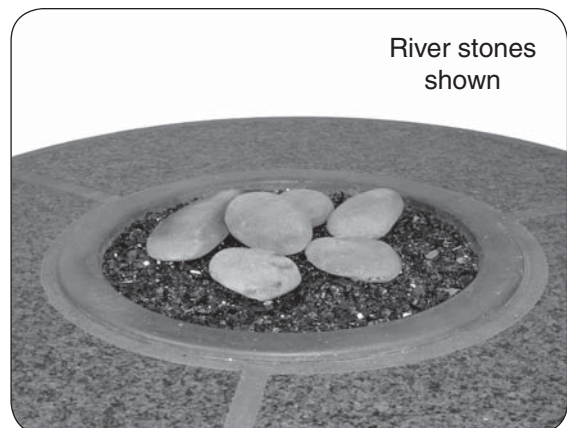


Fig. 20-4 Secondary options

OPTIONAL COVER

OPTIONAL GFRC COVER

An optional GFRC cover is available to protect your unit when not in use. Contact your local dealer for ordering information.

To place the cover, allow the unit to cool completely, then place as shown in Fig. 21-1.

Note: Certain decorative media (such as river stones, logs, etc.) may interfere with the proper placement of the cover. They will need to be removed and stored in a safe location when the cover is in use.

OPTIONAL FABRIC COVER

An optional fabric cover is available to protect your unit when not in use. Contact your local dealer for ordering information.

To place, allow the unit to cool completely, then place the cover over the unit with the American Fyre Designs logo facing upward. See Fig. 21-2.

Follow all instructions provided with the fabric cover.

Note: Certain decorative media (such as river stones, logs, etc.) may interfere with the proper placement of the cover. They will need to be removed and stored in a safe location when the cover is in use.

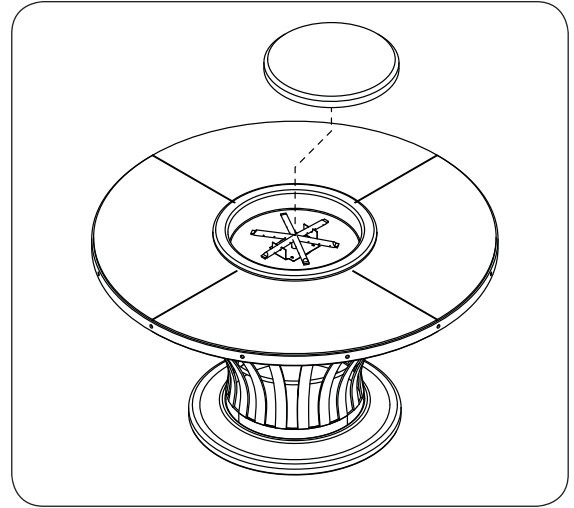


Fig. 21-1 GFRC cover placement



Fig. 21-2 Fabric cover placement

**8131 model
shown**

INSTRUCTIONS D'ALLUMAGE - MODÈLES DE BOUTONS DE CONTRÔLE

POUR VOTRE SÉCURITÉ, LIRE AVANT D'ALLUMER

AVERTISSEMENT: SI VOUS NE SUIVEZ PAS CES INSTRUCTIONS À LA LETTRE, UN INCENDIE OU UNE EXPLOSION POURRAIENT S'ENSUIVRE, CAUSANT DES DOMMAGES MATÉRIELS, DES BLESSURES OU DES PERTES DE VIE.

- A. AVANT D'ALLUMER**, sentez tout autour de l'unité de surface pour le gaz. Assurez-vous de sentir près du plancher, car certains gaz sont plus lourds que l'air et se déposent sur le sol.
- B. QUE FAIRE SI UNE ODEUR DE GAZ**
1. Coupez le gaz à l'appareil.
 2. Éteindre toute flamme nue.
 3. Si l'odeur persiste, appelez immédiatement votre fournisseur de gaz ou le service des incendies.
- C.** N'utilisez que votre main pour enfoncer ou tourner le bouton de contrôle du gaz. Ne jamais utiliser d'outils. Si le bouton ne sera pas enfoncer ou à tourner à la main, NE PAS essayer de le réparer. Appelez un technicien de service qualifié. Force ou une tentative de réparation pourrait provoquer un incendie ou une explosion.

1. **ARRÊT!** Lire les consignes de sécurité ci-dessus.
2. S'assurer que le bouton de contrôle du gaz est en position **OFF (éteindre)** avant de séquence d'éclairage à partir la position.
3. Posez une lumineuse à longue tige match sur la surface du support de décoration à proximité de l'anneau brûleur (**ne tenez pas le match en main**) ou utiliser un briquet au butane allumée au long cou (Fig. 22-1).
4. **Une fois que le match est en feu et en position**, appuyer sur le bouton de contrôle du gaz et tournez dans le sens antihoraire à la position de **HI LIGHT (allumer)** (voir Fig. 22-2). Votre brûleur devrait s'allumer.

ATTENTION: Si le brûleur ne s'allume pas avant le match s'éteint, tournez immédiatement le bouton de réglage dans le sens horaire à la position **OFF (éteindre)**.

Attendez environ cinq (5) minutes pour laisser échapper tout le gaz, et répétez les étapes 1-4 ci-dessus.

Si votre brûleur ne s'allume pas, tournez le bouton de réglage dans le sens horaire à la position OFF (éteindre) et contactez votre revendeur ou fournisseur de gaz.

POUR ARRÊTER LE GAZ À L'APPAREIL

Pour éteindre le brûleur à gaz, appuyer sur le bouton de contrôle du gaz et tourner dans le sens horaire à la position **OFF (éteindre)** (voir Fig. 22-2). Assurez-vous que le bouton de commande est tourné complètement hors tension pour éviter toute fuite de gaz.

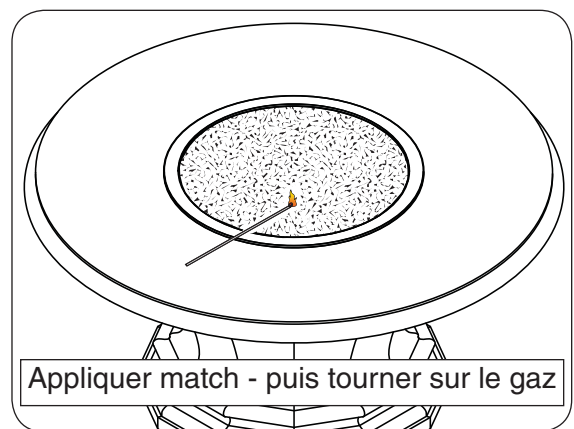


Fig. 22-1

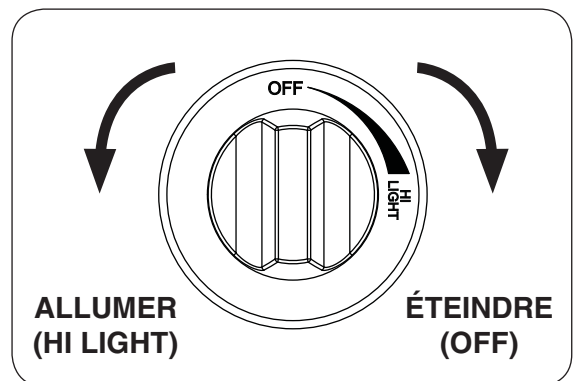


Fig. 22-2

LIGHTING INSTRUCTIONS - CONTROL KNOB MODELS

FOR YOUR SAFETY, READ BEFORE LIGHTING

WARNING: IF YOU DO NOT FOLLOW THESE INSTRUCTIONS EXACTLY, A FIRE OR EXPLOSION MAY RESULT, CAUSING PROPERTY DAMAGE, PERSONAL INJURY, OR LOSS OF LIFE.

- A. BEFORE LIGHTING**, smell all around the unit area for gas. Be sure to smell next to the floor, because some gas is heavier than air and will settle on the floor.
- B. WHAT TO DO IF YOU SMELL GAS**
1. Shut off the gas to the appliance.
 2. Extinguish any open flame.
 3. If odor continues, immediately call your gas supplier or the fire department.
- C.** Use only your hand to push in or turn the gas control knob. Never use tools. If the knob will not push in or turn by hand, **DO NOT** try to repair it. Call a qualified professional service technician. Force or attempted repair may result in fire or explosion.

1. **STOP!** Read the safety information above.
2. Ensure the gas control knob is in the **OFF** position before beginning lighting sequence.
3. Lay a lighted long-stem match on the surface of the decorative media near the burner (**do not hold the match in your hand**) or use a lighted long-necked butane lighter (Fig. 23-1).
4. **Once the match is burning and in position**, depress the gas control knob and turn it counter-clockwise to the **HI LIGHT** position (see Fig. 23-2). Your burner should light.

CAUTION: If the burner does not light before the match goes out, immediately turn the control knob clockwise to the **OFF** position.

Wait approximately five (5) minutes to clear out any gas, and repeat steps 1-4 above.

If your burner fails to light again, turn the control knob clockwise to the OFF position and contact your dealer or gas supplier.

TO SHUT OFF GAS TO THE APPLIANCE

To extinguish your gas burner, depress the gas control knob and turn it clockwise to the **OFF** position (see Fig. 23-2). Be sure the control knob is turned fully off to avoid any gas leakage.

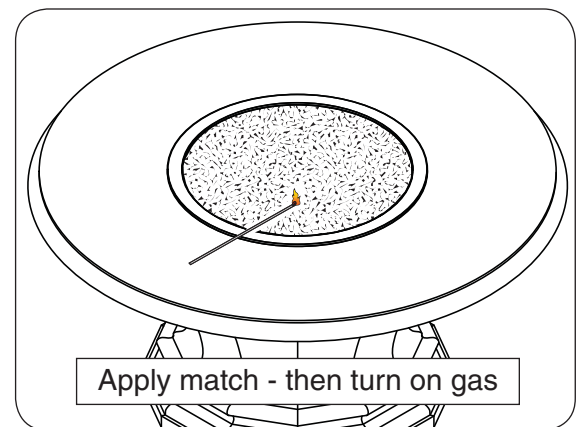


Fig. 23-1

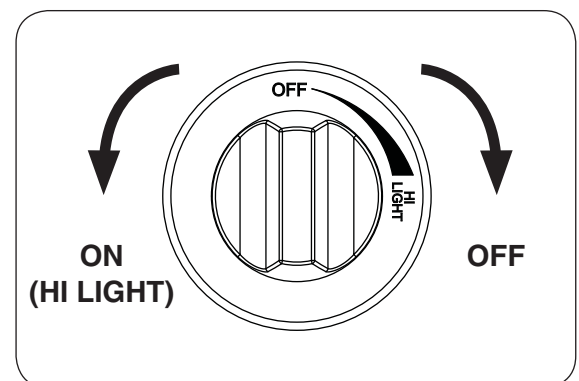


Fig. 23-2

INSTRUCTIONS D'ALLUMAGE - MODÈLE DE VANNE CLÉ

POUR VOTRE SÉCURITÉ, LIRE AVANT D'ALLUMER

AVERTISSEMENT: S'IL VOUS NE SUIVEZ PAS CES INSTRUCTIONS À LA LETTRE, UN INCENDIE OU UNE EXPLOSION POURRAIENT S'ENSUIVRE, CAUSANT DES DOMMAGES MATÉRIELS, DES BLESSURES OU DES PERTES DE VIE.

- A. AVANT D'ALLUMER**, sentez tout autour de l'unité de surface pour le gaz. Assurez-vous de sentir près du plancher, car certains gaz sont plus lourds que l'air et se déposent sur le sol.
- B. QUE FAIRE SI UNE ODEUR DE GAZ**
1. Coupez le gaz à l'appareil.
 2. Éteindre toute flamme nue.
 3. Si l'odeur persiste, appelez immédiatement votre fournisseur de gaz ou le service des incendies.
- C. Utilisez uniquement une clé propre à tourner la vanne de la conduite de gaz. Ne jamais utiliser d'outils. Si la vanne ne tourne pas, NE PAS essayer de le réparer. Appelez un technicien de service qualifié. Force ou une tentative de réparation pourrait provoquer un incendie ou une explosion.**

1. **ARRÊT!** Lire les consignes de sécurité ci-dessus.

2. S'assurer que le robinet est complètement clé en position **OFF (ÉTEINDRE)** avant de séquence d'éclairage à partir.

3. Poser une allumettes à tige longue éclairé sur la surface des médias décoratifs près du brûleur (**ne pas tenir le match en main**) ou utiliser un briquet au butane long cou éclairé (Fig. 24-1).

4. **Une fois que le match est en feu et en position**, tourner lentement la vanne clé dans le sens antihoraire vers la position **ON (allumer)** jusqu'à ce qu'il ne tourne plus (voir Fig. 24-2). Votre brûleur devrait s'allumer.

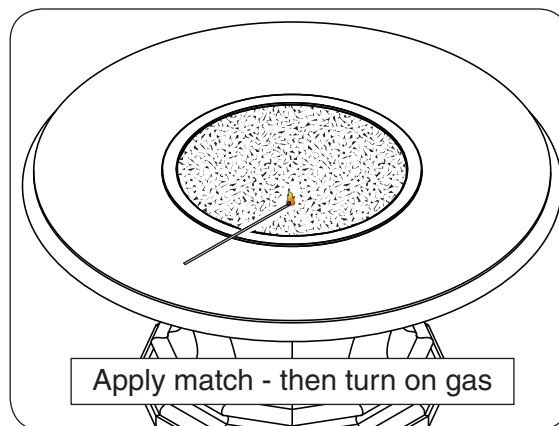


Fig. 24-1

ATTENTION: Si le brûleur ne s'allume pas avant le match s'éteint, tournez immédiatement le vanne clé dans le sens horaire vers la position **OFF (ÉTEINDRE)** jusqu'à ce qu'il ne tourne plus

Attendez environ cinq (5) minutes pour laisser échapper tout le gaz, et répétez les étapes 1-4 ci-dessus.

Si votre graveur ne s'allume à nouveau, tourner le vanne clé dans le sens horaire vers la position **OFF (ÉTEINDRE)** jusqu'à ce qu'il ne tourne plus et contactez votre revendeur ou fournisseur de gaz.

POUR ARRÊTER LE GAZ À L'APPAREIL

Pour éteindre votre brûleur à gaz, insérez la clé dans la valve touche et tournez la valve dans le sens horaire vers la position d'arrêt jusqu'à ce qu'il ne tourne plus (voir Fig. 24-2). Assurez-vous que le bouton de commande est tourné à fond au large pour éviter toute fuite de gaz.

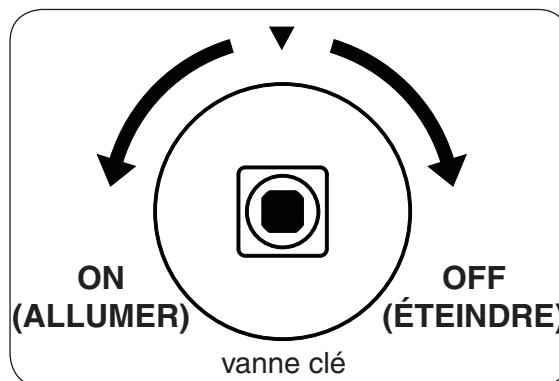


Fig. 24-2

LIGHTING INSTRUCTIONS KEY VALVE MODELS

FOR YOUR SAFETY, READ BEFORE LIGHTING

WARNING: IF YOU DO NOT FOLLOW THESE INSTRUCTIONS EXACTLY, A FIRE OR EXPLOSION MAY RESULT, CAUSING PROPERTY DAMAGE, PERSONAL INJURY, OR LOSS OF LIFE.

- A. BEFORE LIGHTING**, smell all around the unit area for gas. Be sure to smell next to the floor, because some gas is heavier than air and will settle on the floor.
- B. WHAT TO DO IF YOU SMELL GAS**
 1. Shut off the gas to the appliance.
 2. Extinguish any open flame.
 3. If odor continues, immediately call your gas supplier or the fire department.
- C.** Use only a proper key to turn the gas line valve. Never use tools. If the valve will not turn, **DO NOT** try to repair it. Call a qualified professional service technician. Force or attempted repair may result in fire or explosion.

1. **STOP!** Read the safety information above.
2. Ensure the key valve is completely in the **OFF** position before beginning lighting sequence.
3. Lay a lighted long-stem match on the surface of the decorative media near the burner (**do not hold the match in your hand**) or use a lighted long-necked butane lighter (Fig. 25-1).
4. **Once the match is burning and in position**, slowly turn the key valve counter-clockwise toward the **ON** position until it no longer rotates (see Fig. 25-2). Your burner should light.

CAUTION: If the burner does not light before the match goes out, immediately turn the key valve clockwise toward the **OFF** position until it no longer rotates.

Wait approximately five (5) minutes to clear out any gas, and repeat steps 1-4 above.

If your burner fails to light again, turn the key valve clockwise toward the OFF position until it no longer rotates and contact your dealer or gas supplier.

TO SHUT OFF GAS TO THE APPLIANCE

To extinguish your gas burner, insert the key into the key valve and turn the valve clockwise toward the **OFF** position until it no longer rotates (see Fig. 25-2). Be sure the control knob is turned fully off to avoid any gas leakage.

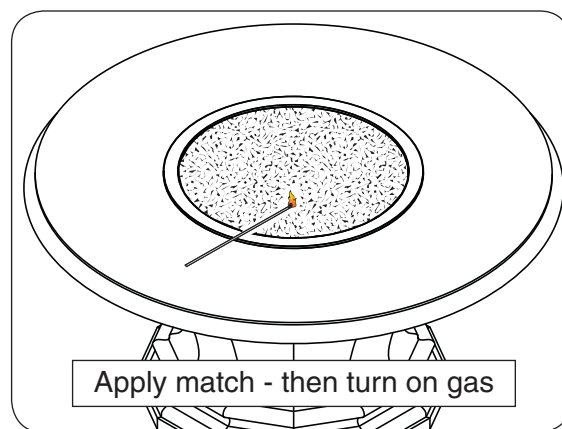
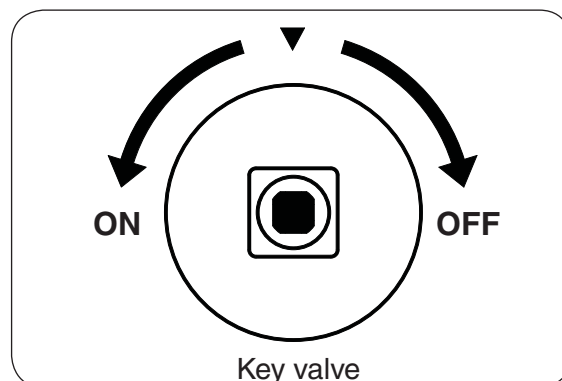


Fig. 25-1



Key valve

Fig. 25-2

SERVICING AND CLEANING

Each installation site for any unit presents its own unique combustion environment. Specific factors such as weather, wind currents, yard debris, altitude, drafts, the size of the surrounding area, all have an influence on the proper operation of the unit. A normally operating unit will demonstrate the following characteristics:

- A lively, realistic yellow flame
- Odor-free

If the flame is not clean (identifiable by excessive sooting on the decorative media), refer to the information below. Some soot on the media may occur and should not be a concern unless excessive.

- Cover your unit whenever it is not in use, and follow the guidelines below at least annually.

ANNUAL CLEAN / INSPECTION GUIDELINES

The unit and the installation must be inspected annually. Refer to these instructions for details. Performing these procedures will ensure proper operation, appearance, and safety. WEAR GLOVES.

If maintenance is required, it must be done by a qualified professional service technician.

- Always shut off the gas to the unit while performing service work.
- Allow the unit to cool before servicing.
- The entire burner system should be inspected regularly:

Excessive debris can build up on this unit from leaves, dirt, or other debris. It is critical that all control components, burners, vent openings, and the surrounding area be kept clean and free of all obstructions.

Examine that all components are properly assembled / installed as instructed in this manual.

Ensure that all decorative media is properly placed as instructed in this manual.

- The burner assembly must be replaced prior to the unit being put into operation if it is evident that the burner is damaged. Contact your local dealer for replacement parts.
- DO NOT use substitute materials when replacing any components of the appliance.
- **Keep the vent openings and surrounding area of the of the unit clean and free of obstructions at all times.**
- Periodically perform visual checks of the burner flames. The burner flames should be blue at the base with a combination of blue/yellow at the body and tips. Contact a qualified professional service technician for maintenance.
- **To maintain the concrete components**, first wash them with a mild soap and water solution. A vinyl brush is recommended. Allow to dry and follow up with a concrete sealer in order to preserve the finish.

During use, clean up any spills immediately to prevent any possible staining or damage to the finish.

- Any guard or other protective device removed for servicing the appliance shall be replaced prior to operating the appliance.
- Verify proper operation after servicing.

FUEL CONVERSION KITS

A certified kit is available from the manufacturer to convert your appliance from natural gas to L.P. or vice versa. Contact your dealer for ordering information.

Follow the instructions provided with the kit when converting.

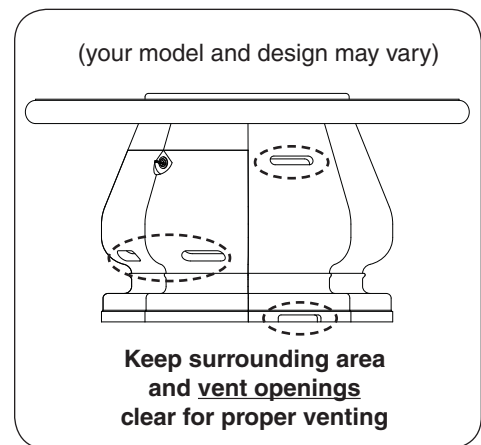


Fig. 26-1

CAUTION: HOT DURING OPERATION AND AFTER USE. Children must be supervised when in the vicinity of this appliance. Serious injury may occur! Children must be alerted to the hazard of high surface temperatures and should stay away to avoid burns or clothing ignition.

TROUBLESHOOTING

If you have trouble with your unit, please use this list to identify the problem. By trying one or more of the solutions to the probable cause, you should be able to solve the problem. If this list does not address your present problem, or if you have other technical difficulties with your unit, please contact your local dealer or visit our web site at www.rhpeterson.com.

SYMPTOM	PROBABLE CAUSE	CORRECTIVE ACTION
Burner will not turn on	<ol style="list-style-type: none"> 1. Gas not reaching appliance 2. Air in gas line 	<ol style="list-style-type: none"> 1. Check gas supply and gas shut-off valve. 2. Purge air from gas line.
Unit overheating or poor combustion	<ol style="list-style-type: none"> 1. Vent openings/surrounding area blocked with debris 	<ol style="list-style-type: none"> 1. Clean vent openings and surrounding area of all obstructions.
Low flame	<ol style="list-style-type: none"> 1. Low gas pressure 2. Propane tank running low (if applicable) 	<ol style="list-style-type: none"> 1. Check gas pressure (Read D-E of PRE-INSTALLATION AND PREPARATION SAFETY GUIDELINES section, & <u>check with local gas company</u>). 2. Fill tank completely.
Low flame or too high flame	<ol style="list-style-type: none"> 1. Using natural-gas burner on propane gas or propane burner on natural gas 	<ol style="list-style-type: none"> 1. Ensure proper gas type. The gas supply used may not be the same as that stated on the unit rating plate. Shut down immediately to verify, and if necessary contact your local dealer. (The unit may be converted to the gas type of the gas supply, IF PERMITTED.)
Flame lifts off the burner assembly	<ol style="list-style-type: none"> 1. Unit exposed to high-wind conditions 	<ol style="list-style-type: none"> 1. Ensure that the unit is installed in an area that is less susceptible to high wind conditions.
Flame height drops when unit is in operation	<ol style="list-style-type: none"> 1. Low gas pressure (due to improper gas supply line) 	<ol style="list-style-type: none"> 1. Check gas supply line and gas pressure (Read D-E of PRE-INSTALLATION AND PREPARATION SAFETY GUIDELINES section, & <u>check with local gas company</u>).
Burner lights but will not stay lit	<ol style="list-style-type: none"> 1. Low gas pressure 2. Unit exposed to high-wind conditions 3. Clogged burner ports 4. Faulty valve or regulator 	<ol style="list-style-type: none"> 1. Check gas pressure (Read D-E of PRE-INSTALLATION AND PREPARATION SAFETY GUIDELINES section, & <u>check with local gas company</u>). 2. Ensure that the unit is installed in an area that is less susceptible to high wind conditions. 3. Clean burner ports. 4. Contact a qualified professional service technician and the local dealer.
Burner flashback or flame burning out of orifice	<ol style="list-style-type: none"> 1. Clogged burner ports 2. Clogged burner orifice 	<ol style="list-style-type: none"> 1. Clean burner ports. 2. Clean burner orifice.

WARRANTY

AMERICAN FYRE DESIGNS BY R. H. PETERSON CO. LIMITED WARRANTY

Robert H. Peterson Co. ("RHP") warrants your American Fire Designs product to be free from defects in material and workmanship. American Fyre Designs ("AFD") exterior fireplaces, BBQ islands, fire tables, fire urns, fire pits, Fire Falls, Fire Walls, gas logs, and burner components ("products") are warranted for **THREE (3) YEARS**.

All AFD valves, electrical components, and controls are warranted for **ONE (1) YEAR** (excluding batteries).

This warranty **does not** apply to: product damage caused by burning wood or any fuel other than natural gas or propane; or damage or discoloration to product used in high wind conditions.

A COPY OF YOUR SALES SLIP FOR PROOF OF PURCHASE IS REQUIRED

This warranty applies to the original purchaser for products which are installed in the United States or Canada and which are operated and maintained as intended for single family residential usage. This warranty is valid only with proof of purchase, shall commence on the date of purchase, and shall terminate (both as to original and any replacement products) on the anniversary date of the original purchase of the product stated on the above schedules.

This warranty covers defects in material and workmanship. This warranty **does not** cover parts which become defective as a result of negligence, misuse, use not in compliance with the Owner's Manual/Installation Instructions, accidental damage, improper handling, improper storage, improper installation, lack of required routine maintenance (as specified in the Owner's Manual/Installation Instructions), electrical damage, local gas impurities or failure to protect against combustibles. Product must be installed (and gas must be connected) as specified in the Owner's Manual/Installation Instructions by a **qualified professional installer**. Modifications to products which are not specifically authorized will void this warranty. Accessories, parts, valves, remotes, etc. when used must be Peterson products or this warranty is void. Warrantied items will be repaired or replaced at Peterson's sole discretion. This warranty **does not** apply to rust, corrosion, oxidation, or discoloration unless the affected part becomes inoperable.

This warranty **does not** cover labor or labor related charges, except as provided by separate specific written programs from the Peterson Co. All repair work must be performed by a qualified professional service person and requires prior approval of Peterson.

Peterson may require the defective product or part to be returned to the factory to determine the cause of failure. Peterson will pay freight charges if the product or part is determined to be defective. This warranty does not cover breakage in shipment from our (Independent) distributor to its customer if the damage is determined to have occurred during that shipment.

This warranty specifically excludes liability for **indirect, incidental**, or consequential damages. Some states and provinces do not allow the exclusion or limitation of incidental or consequential damages, so the above exclusion may not apply to you. This warranty gives you specified legal rights, and you may have other rights that vary from state to state or province.

For additional information regarding this warranty, or to place a warranty claim, contact the R. H. Peterson dealer where the product was purchased.

**TO REGISTER YOUR PRODUCT ONLINE GO TO: WWW.RHPETERSON.COM,
AND CLICK ON PRODUCT REGISTRATION. THANK YOU FOR YOUR PURCHASE.**

Quality Check			Date: _____		
Burner Orifice	Nat.	L.P.	Leak Test: _____	Model#:	_____
Main:	_____	_____	Burn Test: _____	Serial#:	_____
			Gas Type: <u>Nat. / L.P.</u>	Inspector:	_____